

DCGM-3865-12V-EN-240RPM

From Waveshare Wiki

Jump to: navigation, search

Overview

This product is an L-type permanent magnet DC geared motor with an encoder, and the reduction group is composed of all-metal gears. It is mainly used in robots with small wheelbases. The reducer does not have a self-locking function, and the output shaft of the reducer can be rotated by hand. Due to the special structure of this product, it can be used on small wheelbase products with high requirements for space, and the output shaft diameter of 6mm can be adapted to a variety of couplings.

Feature

- L-shaped, suitable for robots with small wheelbases.
- 13-wire hall effect encoder.
- No-load speed is up to 240rpm.
- The locked-rotor torque can reach 8.5kg. cm.
- Rated load is 4kg.cm.

DCGM-3865-12V-EN-240RPM



(<https://www.waveshare.com/dcgm-3865-12v-en-240rpm.htm>)

Encoder motor, I/Os

- Terminal type is PH2.0-6PIN.

Parameter

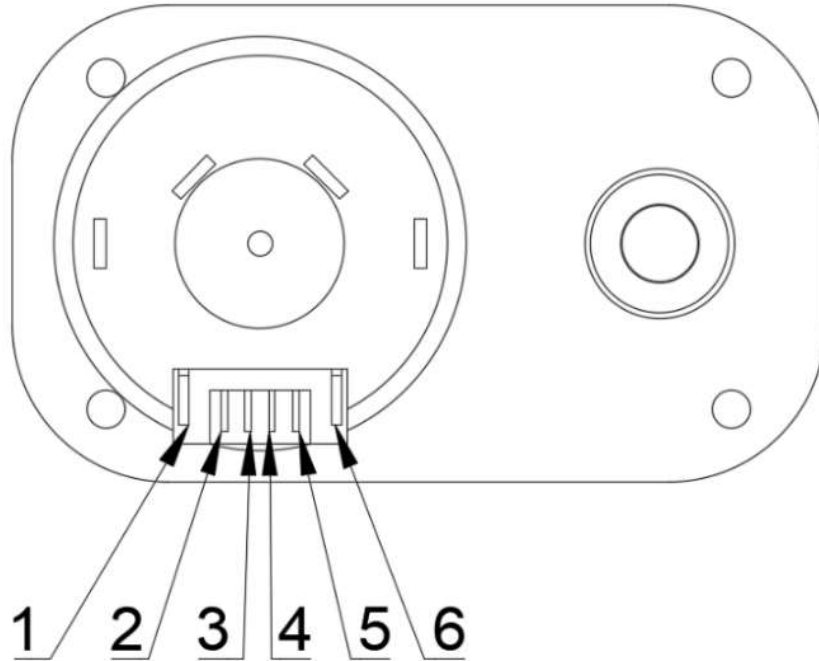
Working Voltage	DC 12V
No-load Speed	240rpm
No-load Current	0.15A MAX
Load Rating	4.0 kg.cm
Rated Speed	125 rpm
Rated Current	1.0A MAX
Rated Power	5.2W
Locked-rotor Torque	≥8.5 kg.cm
Locked-rotor Torque Current	≤3.5A
Hall Effect Encoder Resolution	Basic 13PPR×42=546PPR
Gear Reduction Ratio	1:42

Application Scenarios

- Self-balancing two-wheeled vehicle
- Intelligent tracking car
- Smart appliances
- Robot

- Camera rocker arm

How To Work



(/wiki/File:DCGM-3865-

12V-EN-240RPM2.png)

1	M2 motor power supply
2	Encoder VCC positive, 5V/3.3V
3	C2 encoder phase B
4	C1 encoder phase A
5	Encoder GND negative
6	M1 motor power supply

Resource

3D Model

- 3D Model STEP (<https://files.waveshare.com/upload/c/c6/GM3865-3D.zip>)

2D Drawing

- DXF Drawing (<https://files.waveshare.com/upload/a/ae/DCGM-3865-DXF-2D.zip>)
- PDF Drawing (<https://files.waveshare.com/upload/c/c7/DCGM-3865-PDF-2D.zip>)

Support

Technical Support

If you need technical support or have any feedback/review, please click the **Submit Now** button to submit a ticket, Our support team will check and reply to you within 1 to 2 working days. Please be patient as we make every effort to help you to resolve the issue.

Working Time: 9 AM - 6 PM GMT+8
(Monday to Friday)

Submit Now (<https://service.waveshare.com/>)

*Retrieved from "<https://www.waveshare.com/w/index.php?title=DCGM-3865-12V-EN-240RPM&oldid=77821>
(<https://www.waveshare.com/w/index.php?title=DCGM-3865-12V-EN-240RPM&oldid=77821>)"*
