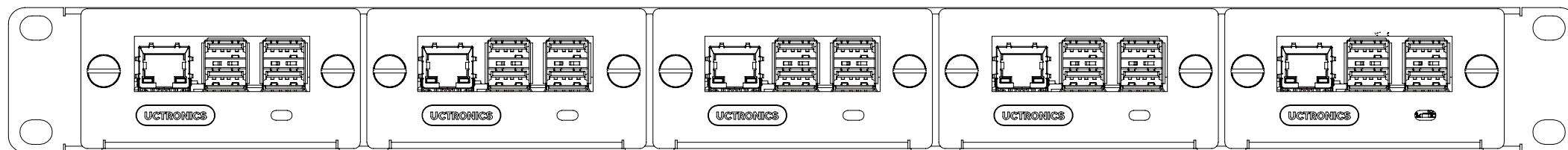




www.uctronics.com

RACK MOUNT SERIES

# ASSEMBLY GUIDE



## CONTACT US

If any problem, feel free to contact us.

Website: [www.uctronics.com](http://www.uctronics.com)

Email: [support@uctronics.com](mailto:support@uctronics.com)



SKU: RM0015

# Package Contents

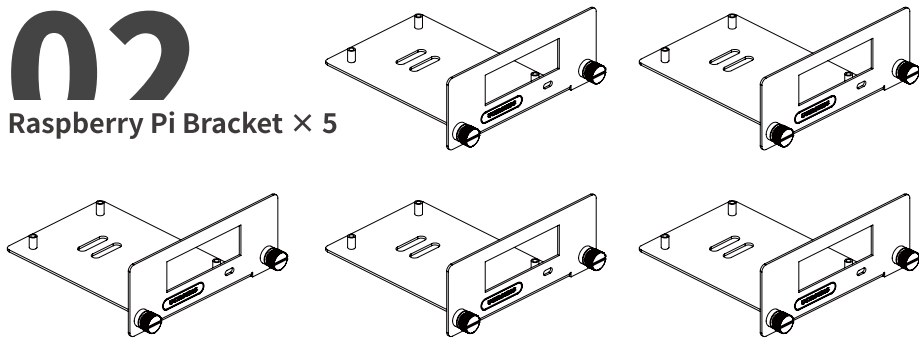
## 01

Rackmount × 1



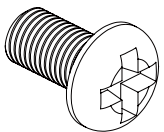
## 02

Raspberry Pi Bracket × 5



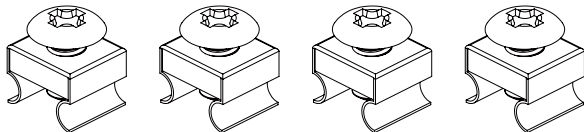
## 03

M2.5\*5/6 screws × 40



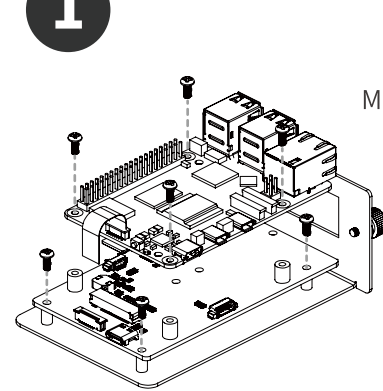
## 04

M6 Rack screws × 4



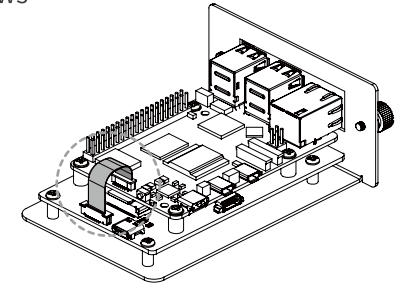
# Installation

1



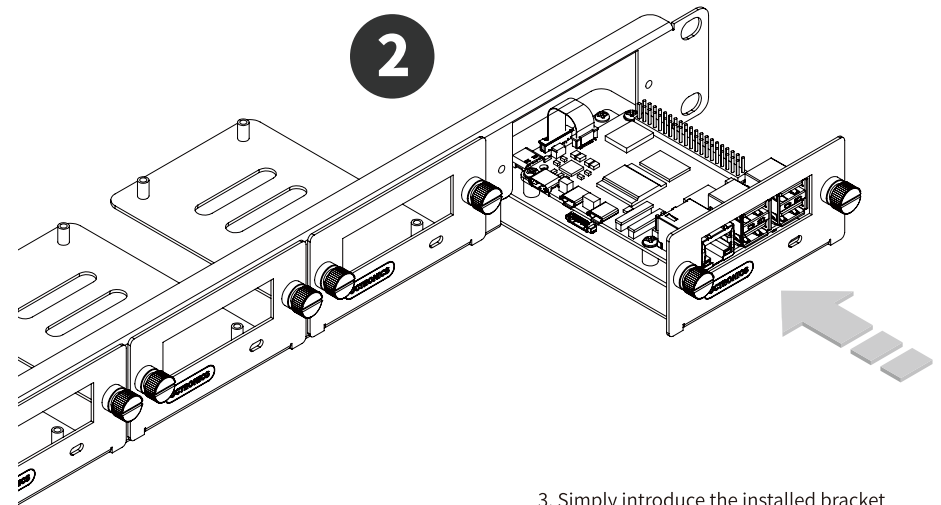
M2.5\*5/6 screws

1. Secure the Raspberry Pi motherboard and the SSD carrier board using unified M2.5×5/6 round - head screws.



2. Connect the ribbon cable, just pay attention to the direction.

2



3. Simply introduce the installed bracket into the rackmount and secure the captive loose-off screws.